



EstesRockets.com

DER BIG RED MAX™

9721



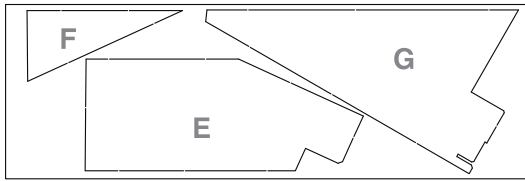
MODEL ROCKET INSTRUCTIONS

KEEP FOR FUTURE REFERENCE

IMPORTANT: Please record date found on decal and keep for future reference. _____

Read all instructions. Make sure you have all parts and supplies. Test fit all parts before applying glue.

SUPPLIES

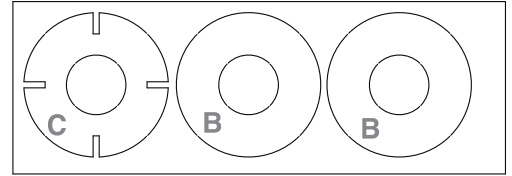


090051-9721 X3
Laser-cut wood sheet

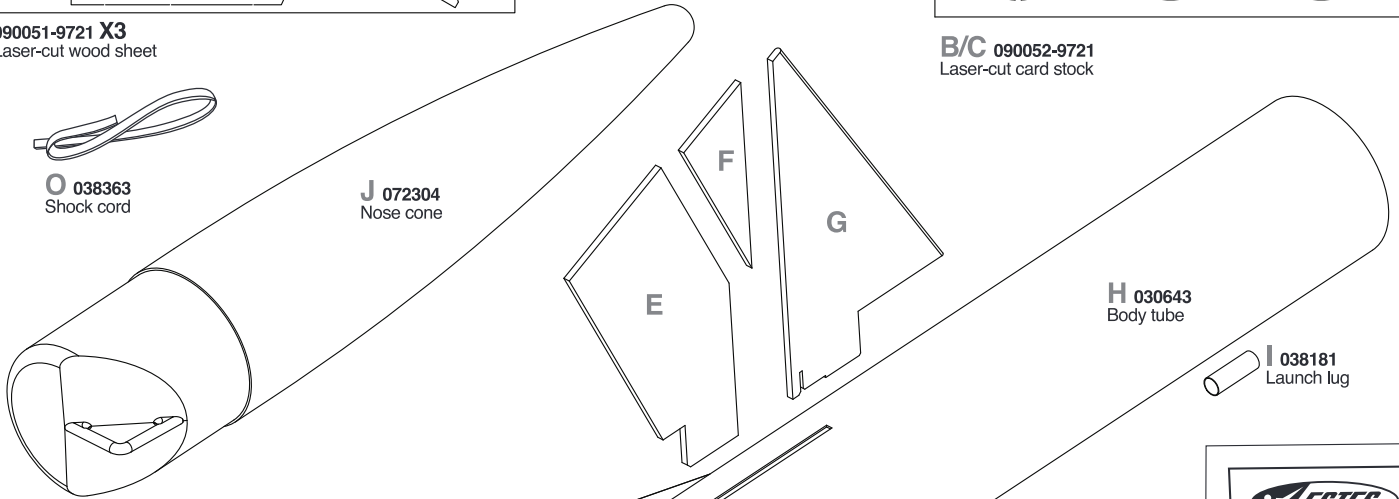


O 038363
Shock cord

J 072304
Nose cone



B/C 090052-9721
Laser-cut card stock

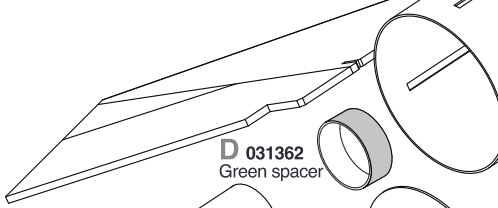


H 030643
Body tube

I 038181
Launch lug



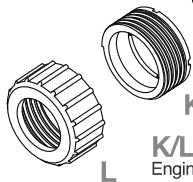
M 085705
Clay



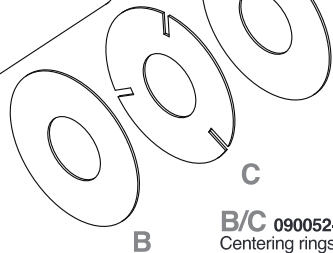
D 031362
Green spacer

A 031940
Body tube

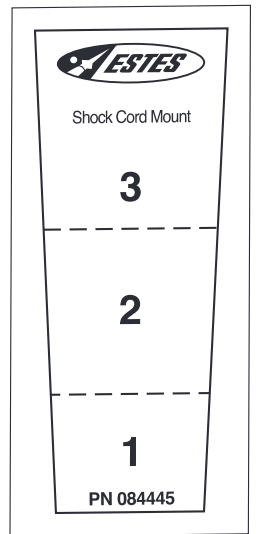
I 038181
Launch lug



K/L 072412
Engine retainer

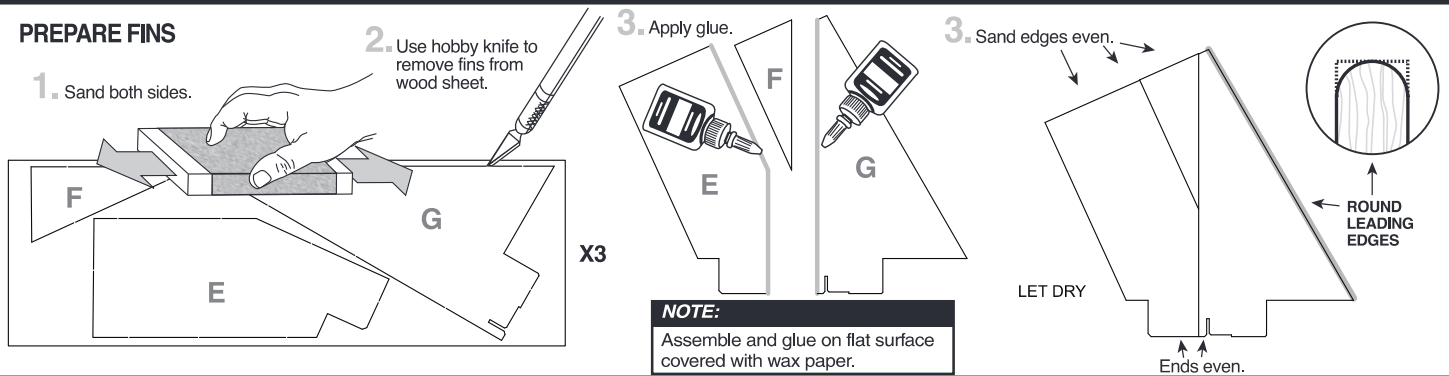


B/C 090052-9721
Centering rings

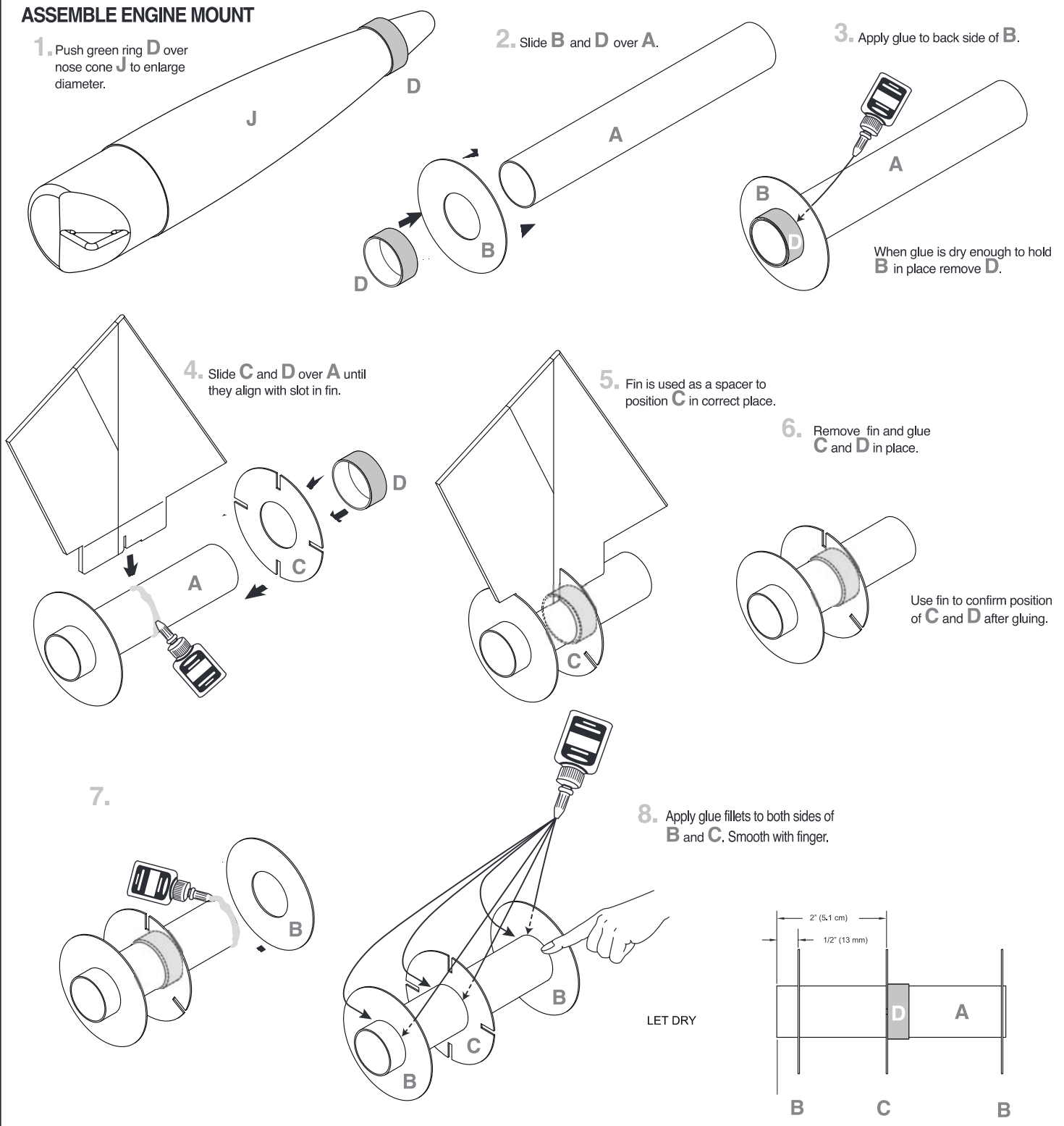


N 084445
Shock cord mount

PREPARE FINS

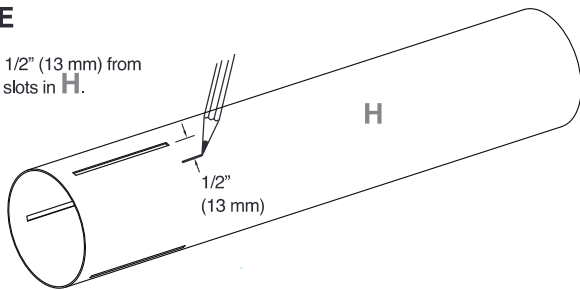


ASSEMBLE ENGINE MOUNT

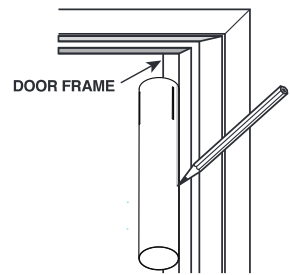


MARK BODY TUBE

1. Make a mark 1/2" (13 mm) from one of the fin slots in **H**.

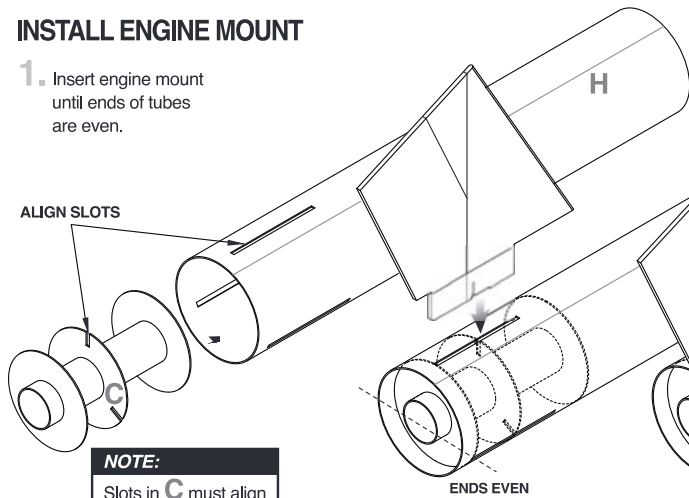


2. Use door frame to extend line to end of tube.



INSTALL ENGINE MOUNT

1. Insert engine mount until ends of tubes are even.

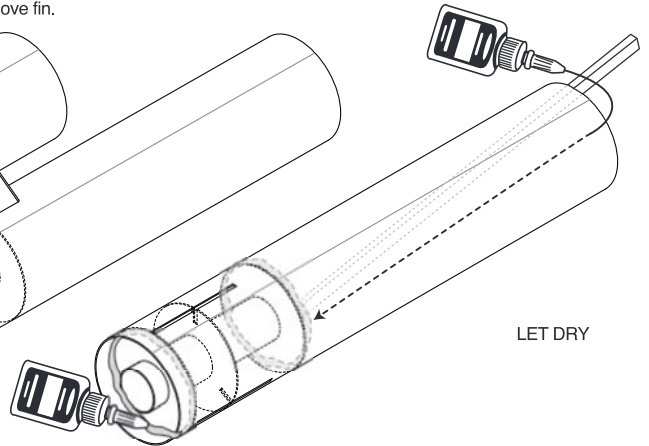


NOTE:

Slots in **C** must align with slots in **H**.

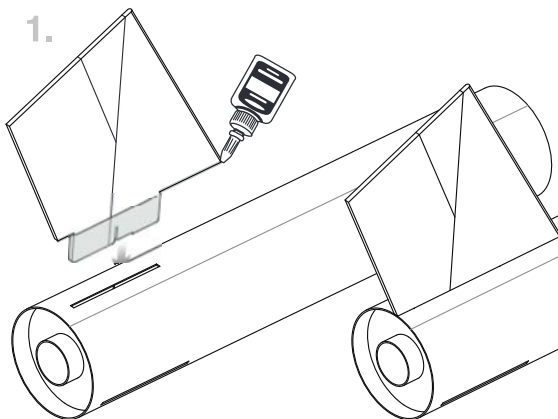
2. Test fit fin in slots of **H**. Slots in **C** must align with slots in **H** for proper fin alignment. Remove fin.

3. Use dowel rod or similar tool to apply glue as indicated.

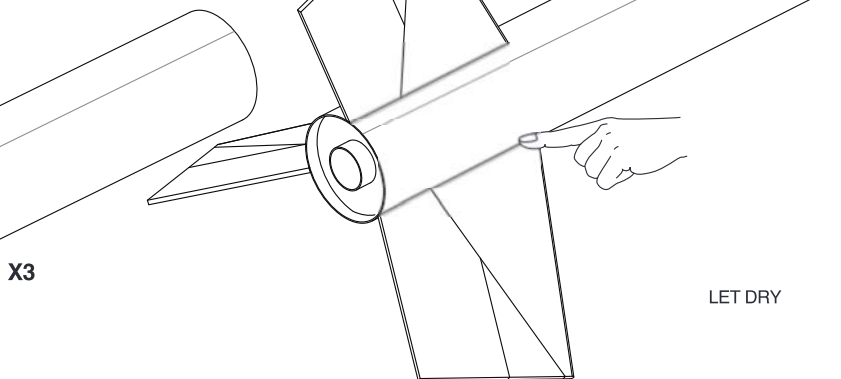


ATTACH FINS

1.



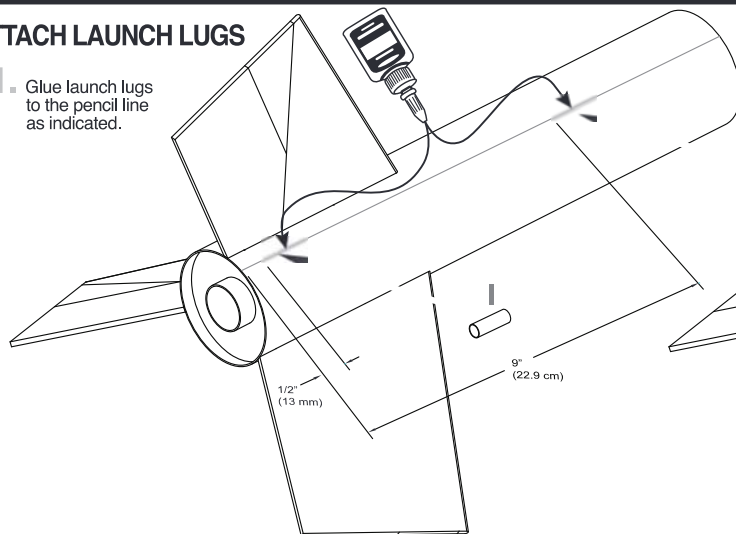
2.



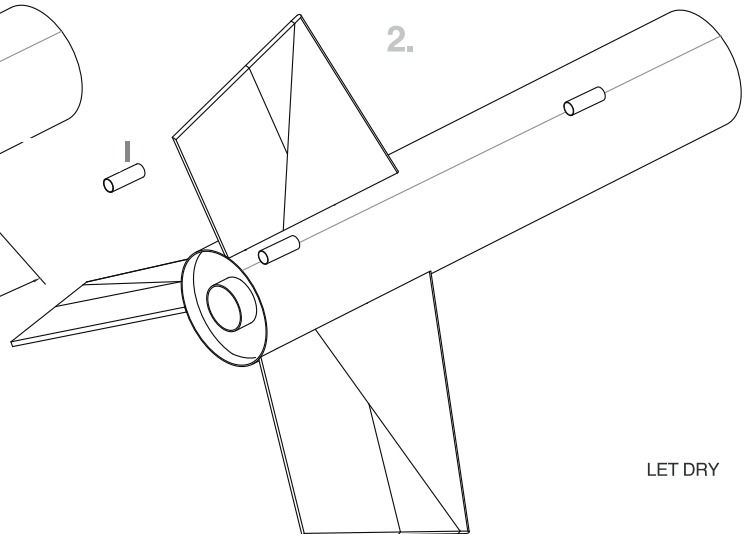
3. Apply glue fillets to all joints. Smooth with finger.

ATTACH LAUNCH LUGS

1. Glue launch lugs to the pencil line as indicated.

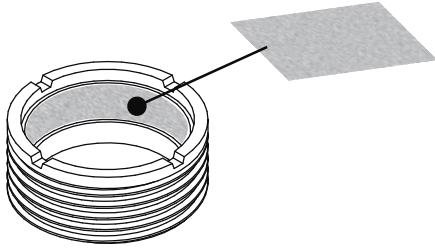


2.

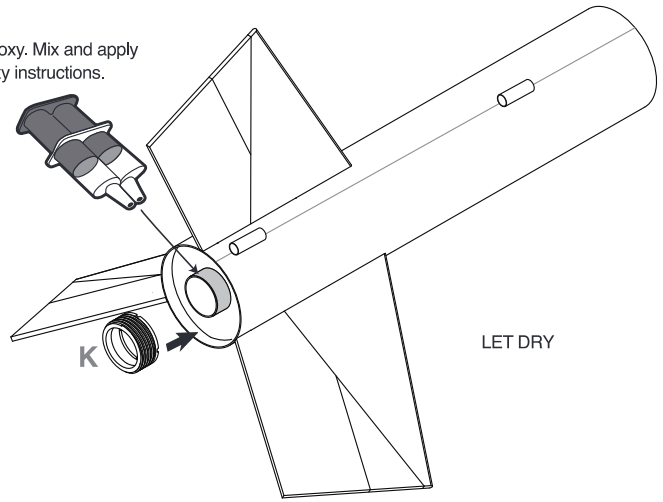


ATTACH ENGINE RETAINER

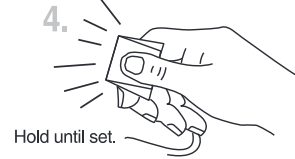
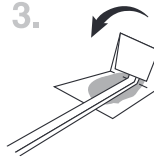
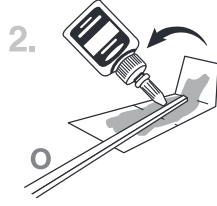
1. Rough up inside surface with sandpaper.



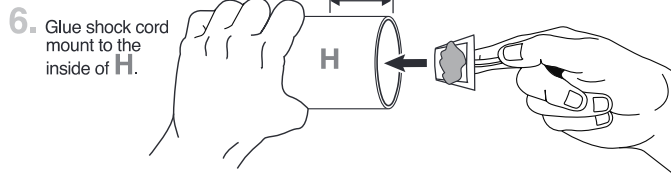
2. Attach **K** with epoxy. Mix and apply according to epoxy instructions.



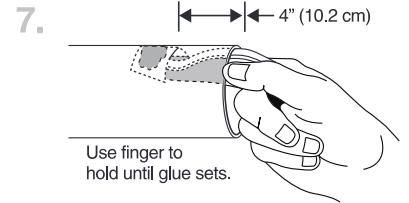
ATTACH SHOCK CORD



Apply glue to shock cord mount.



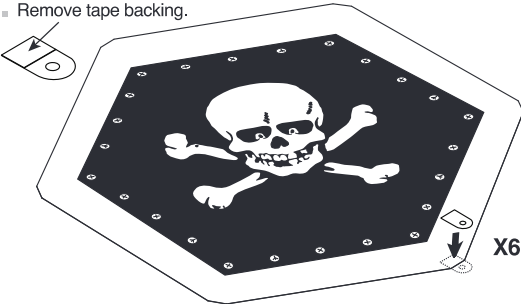
Glue shock cord mount to the inside of **H**.



Use finger to hold until glue sets.

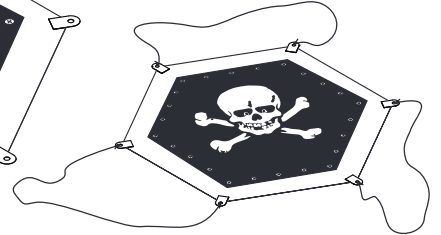
ASSEMBLE PARACHUTE

1. Remove tape backing.



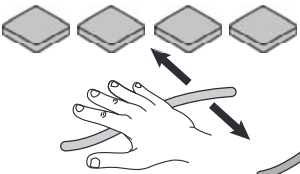
- 2.

3. Attach shroud lines with double knots. Attach as indicated. Do not cross lines over the parachute.

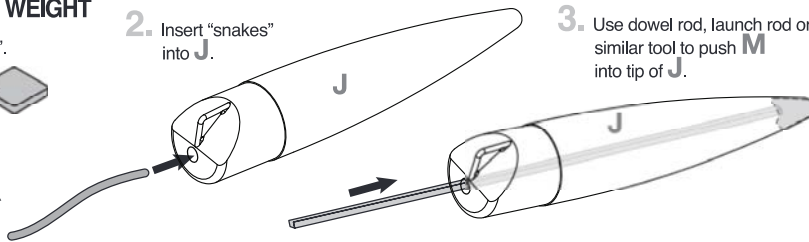


INSTALL CLAY NOSE WEIGHT

1. Roll **M** into "snakes".



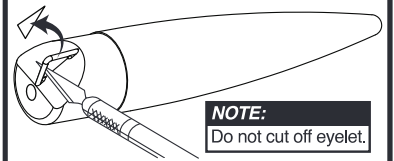
2. Insert "snakes" into **J**.



3. Use dowel rod, launch rod or similar tool to push **M** into tip of **J**.

PREPARE NOSE CONE

1. Remove plastic from inside eyelet.



NOTE:
Do not cut off eyelet.

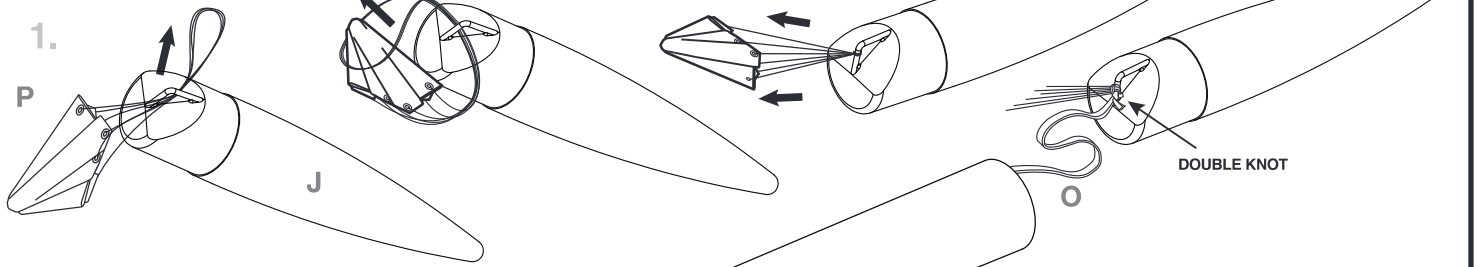
ATTACH RECOVERY SYSTEM

- 1.

- 2.

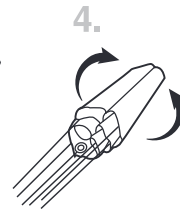
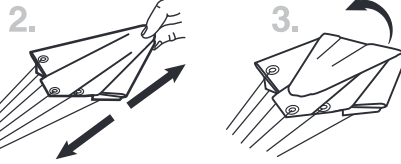
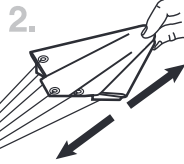
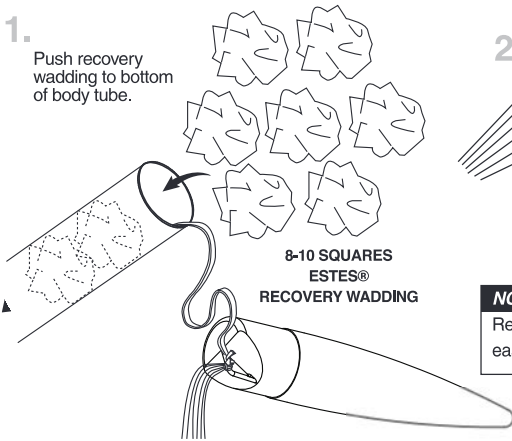
- 3.

- 4.

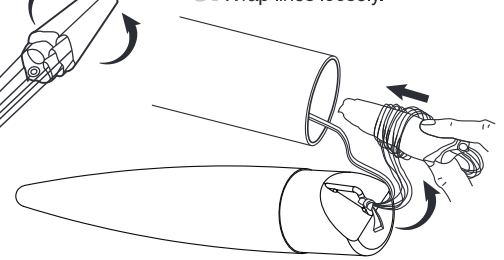


PREPARE FLIGHT RECOVERY

1. Push recovery wadding to bottom of body tube.



5. Wrap lines loosely.



NOTE:

Recovery wadding and parachute must slide easily into body tube. If too tight, redo.

ROCKET FINISHING

Spray rocket with white primer, LET DRY & sand. Repeat until rocket is smooth, then paint. Apply decals after paint is dry.

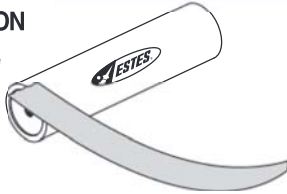


NOTE:

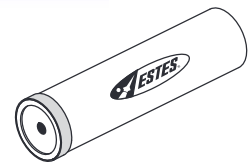
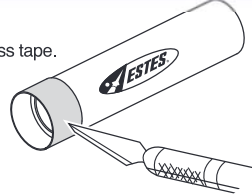
Please refer to packaging for suggested paint scheme and/or decal placement.

PREPARE ENGINE RETENTION

1. Wrap 6 to 8 layers of masking tape over nozzle end of motor. Overlap end of engine by 1/4 inch (6 mm).



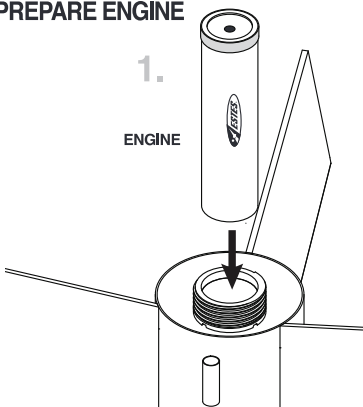
2. Trim off excess tape.



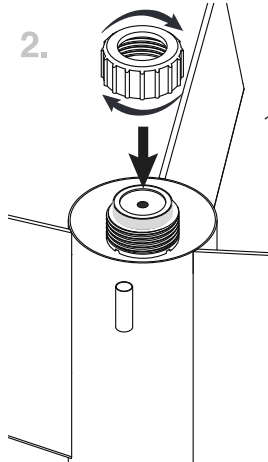
PREPARE ENGINE

- 1.

ENGINE



- 2.

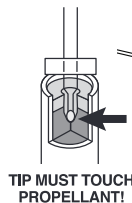


STARTER

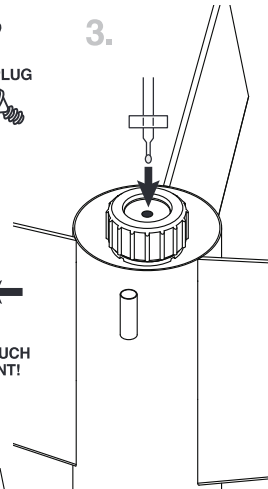
PLUG

Use 1 each.

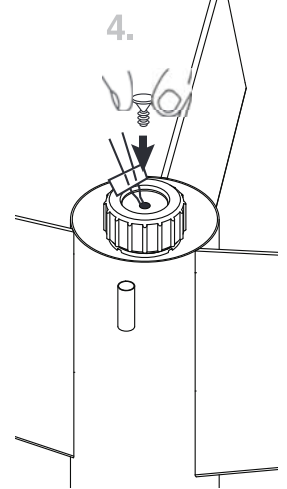
- 3.



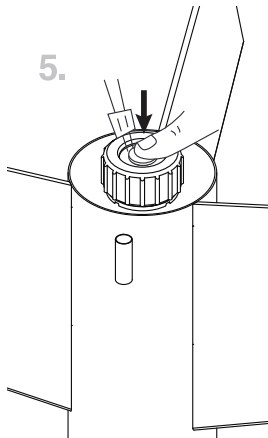
TIP MUST TOUCH PROPELLANT!



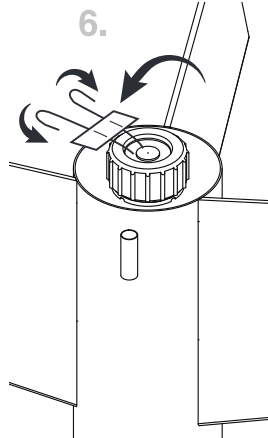
- 4.



- 5.



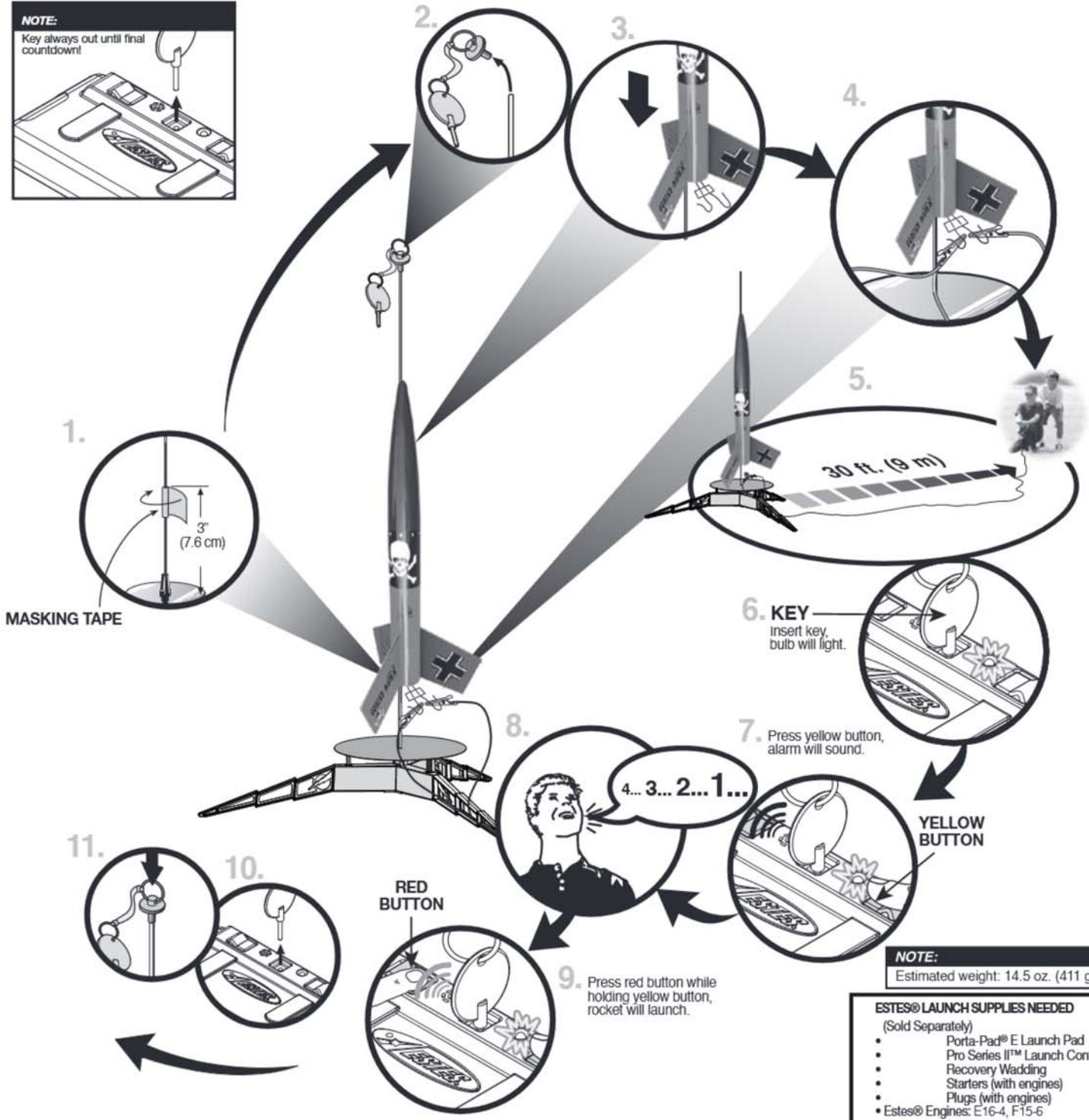
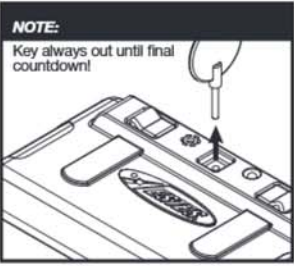
- 6.



WARNING: FLAMMABLE

To avoid serious injury, read instructions & NAR Safety Code included with engines. **PREPARE YOUR ENGINE ONLY WHEN YOU ARE OUTSIDE AT THE LAUNCH SITE PREPARING TO LAUNCH.** If you do not use your prepared engine, remove the starter before storing your engine.

COUNTDOWN AND LAUNCH



NOTE:
Estimated weight: 14.5 oz. (411 g)

- ESTES® LAUNCH SUPPLIES NEEDED**
(Sold Separately)
- Porta-Pad® E Launch Pad
 - Pro Series II™ Launch Controller
 - Recovery Wadding
 - Starters (with engines)
 - Plugs (with engines)
 - Estes® Engines: E16-4, F15-6

PRECAUTIONS



NAR SAFETY CODE



NO DRY GRASS OR WEEDS

PRE-LAUNCH CHECK For safety, never launch a damaged rocket. Check the rocket's body, nose cone and fins. Also, check the engine mount, recovery system and launch lug(s). Repair any damage before launching the rocket.
FLYING YOUR ROCKET Choose a large field (500 ft. [152 m] square) free of dry weeds and brown grass. The larger the launch area, the better your chance of recovering your rocket. Football fields and playgrounds are great. Launch only with little or no wind and good visibility. Always follow the National Association of Rocketry SAFETY CODE (enclosed).
MISFIRES TAKE THE KEY OUT OF THE CONTROLLER. WAIT ONE MINUTE BEFORE GOING NEAR THE ROCKET. Disconnect the micro-clips and remove the engine. Take the plug and starter out of the engine. A burned starter means the starter tip was not touching engine propellant. Install a new starter; be sure the tip is touching propellant inside the engine. Push the plug in place. Repeat steps under Countdown and Launch.

